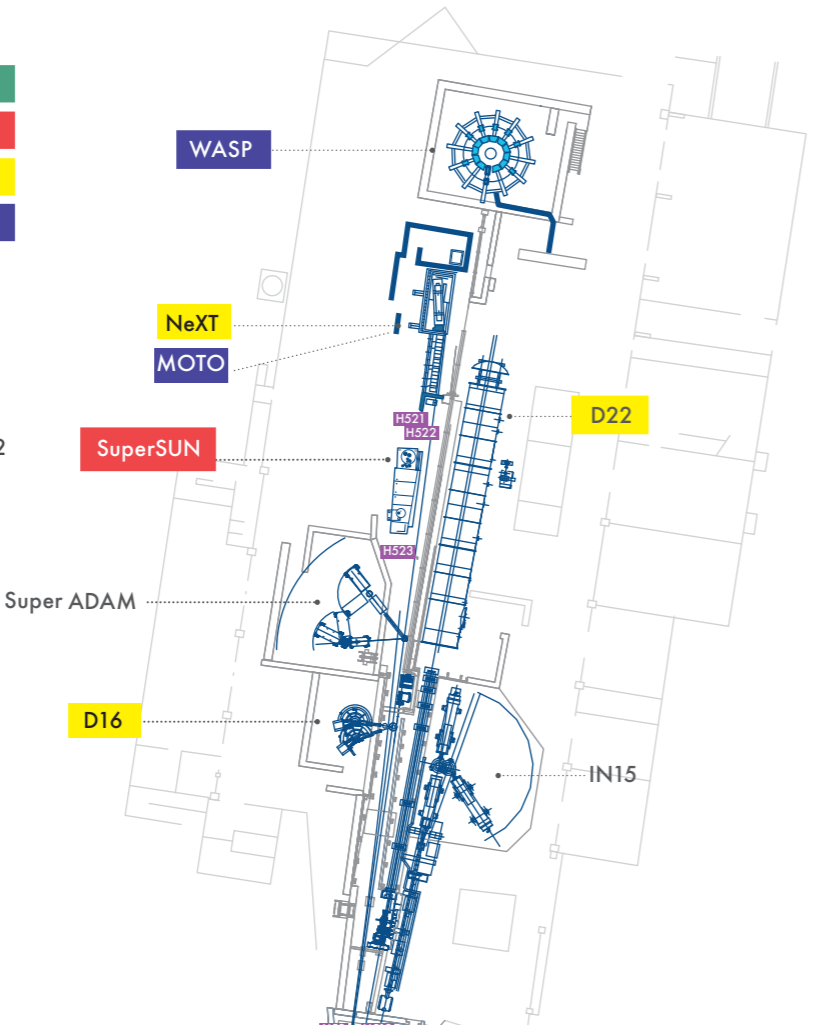


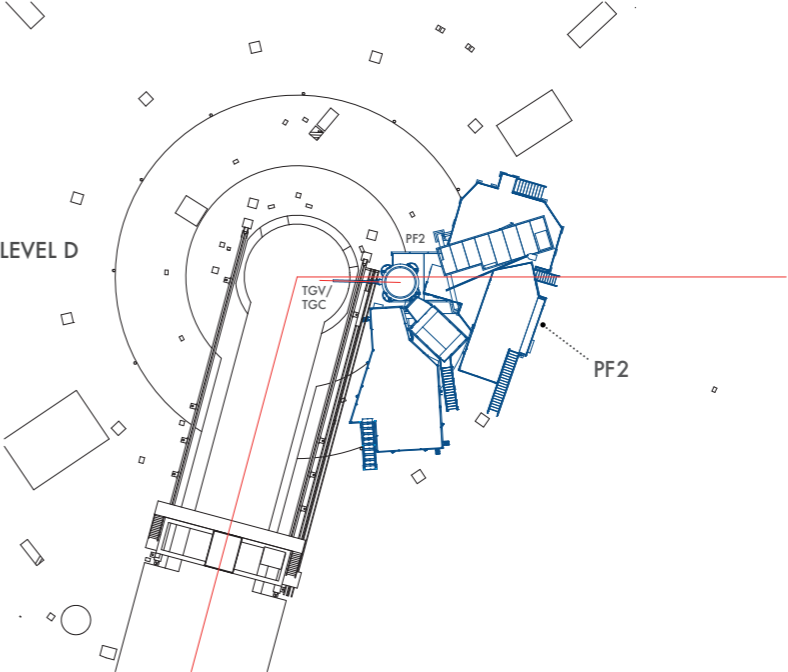
ILL INSTRUMENT SUITE AND ENDURANCE

- Endurance 1 - completed
- Endurance 1 - in progress
- Endurance 2 - completed
- Endurance 2 - in progress

NEUTRON GUIDE HALL ILL22

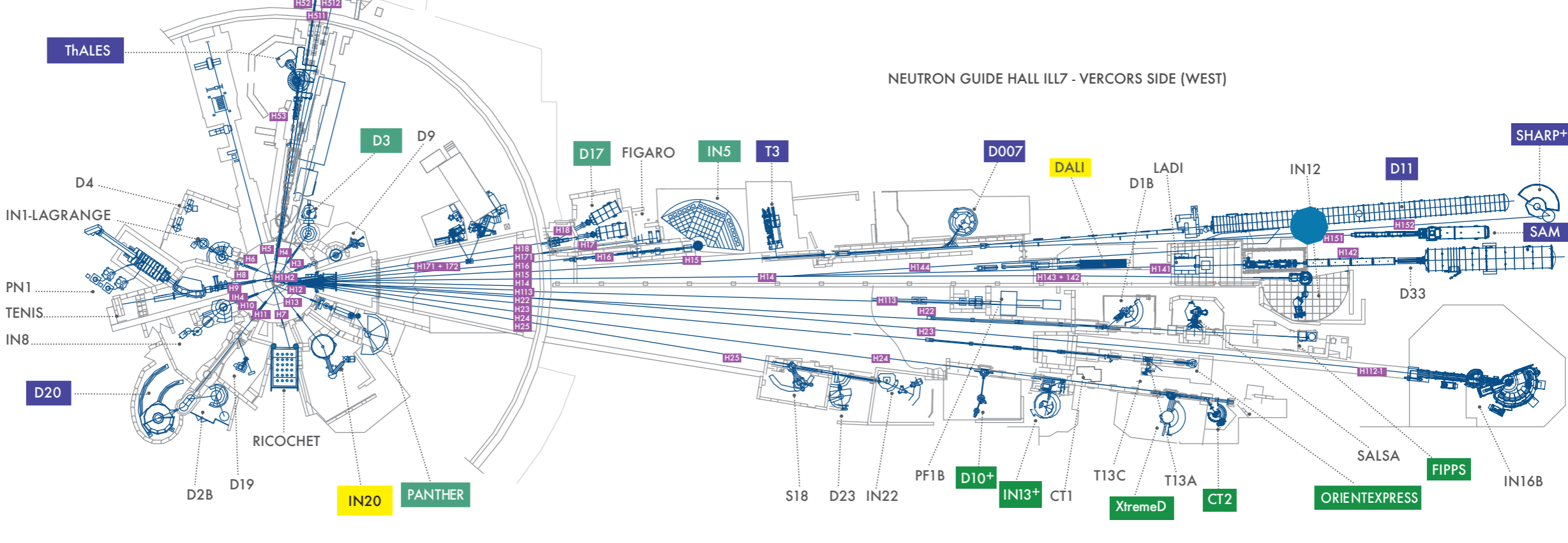


REACTOR BUILDING ILL5 LEVEL D



ThALES

NEUTRON GUIDE HALL ILL7 - VERCORS SIDE (WEST)



REACTOR BUILDING ILL 5 LEVEL C

NEUTRON GUIDE HALL ILL7 - CHARTREUSE SIDE (EAST)